

LETCHWORTH STATE PARK

2025 Tent & Trailer Camping

INFORMATION: 270 Electric sites.

Loops 100-800 are open: 5/16 - 10/13

30 AMP Sites are \$30.00/night

50 AMP Sites are \$32.00/night.

NOTE: An additional \$4/night Friday, Saturday and Holidays.

\$5.00/night surcharge for Out of State Residents

For reservations call **1-800-456-2267** or reserveamerica.com via internet.

General info call Camping at (585) 237-3303

Or write: Camping Information
One Letchworth State Park
Castile, NY 14427

CONTACT STATION HOURS:

Peak season: 10 a.m. – 9 p.m. Daily

Spring & Fall: 10 a.m. – 7 p.m. Sun – Thur.

10 a.m. – 8 p.m. Fri. & Sat

Hours Subject to Change.

LOCATION: Campgrounds are located across from the Perry entrance (Schenck Rd.) 4 miles east of Perry or 6 miles south of Mt. Morris off Rt 36.

PETS: 2 Pets ONLY allowed in **LOOPS 100, 200, 700 and 800.** Must be on a leash (max. 6 ft long) and have current rabies certificate. Pets are NOT allowed in restrooms, camper recreation hall or camping loops 300 – 600.

SWIMMING: TENTATIVE SCHEDULE

Harvey Pool: Daily: Late June-Labor Day. All children 11 and under must be accompanied by someone 18 or older. **NO SWIMMING IN THE GENESEE RIVER.**

OCCUPANCY: Max. 6 people per site (includes infants and children) with 2 tents OR 1 camper and 1 tent

DARIEN LAKES STATE PARK

2025 Tent & Trailer Camping

INFORMATION: 154 Sites

141 electric, 13 primitive

All sites are open: 5/16– 10/13

30 AMP Sites are \$30.00/night

50 AMP Sites are \$32.00/night.

Primitive Sites \$18/night

NOTE: An additional \$4/night Friday, Saturday and Holidays.

\$5.00/night surcharge for Out of State Residents

For reservations call **1-800-456-2267** or reserveamerica.com via internet.

General info call (585) 547-9242

Or write: Darien Lakes State Park
10475 Harlow Rd.
Darien Center, NY. 14040

CONTACT STATION HOURS:

10 am – 6pm Sun – Wed

10 am – 9pm Thu – Sat

Hours Subject to Change.

LOCATION: ¼ mile north of Rt. 20 on Harlow Rd. (west of Darien Center), 3 miles west of Darien Lake Amusement Park, 8 miles south of the NYS Thruway Exit 48A.

PETS: 2 Pets ONLY allowed in “A and B” loops. Must be on a leash (max. 6 ft. long) and have a current rabies certificate.

SWIMMING: Swimming is allowed at guarded beach area only when Lifeguards are on duty. Tentative schedule mid- June to Labor Day – subject to change. Contact park for exact hours.

OCCUPANCY: Maximum 6 people per site (includes infants and children) with 2 tents OR 1 camper and 1 tent.

HAMLIN BEACH STATE PARK

2025 Tent & Trailer Camping

INFORMATION: 264 Electric sites

Loops A – F are open 5/16 – 10/13

30 AMP Sites are \$30.00 per night.

50 AMP sites are \$32.00 per night.

NOTE: An additional \$4/night Friday, Saturday, and Holidays.

\$5.00/night surcharge for Out of State Residents

For reservations call **1-800-456-2267** or reserveamerica.com via internet.

General Info call 585-964-2462

Or write: Hamlin Beach State Park
1 Hamlin Beach Blvd. West
Hamlin, NY 14464

MAIN OFFICE HOURS: 9am – 5pm daily

CAMPER CONTACT HOURS:

9 a.m. – 8 p.m. Sun. – Wed.

9 a.m. – 9 p.m. – Sun. of holiday weekends

9 a.m. – 9 p.m. Thurs. – Sat.

Hours Subject to change.

LOCATION: On Lake Ontario State Parkway, 25 miles west of Rochester, 5 miles north of Hamlin off Rt. 19.

PETS: 2 Pets ONLY allowed in “A” “B” and “C” LOOPS. They must be on a leash (max. 6ft. long) and have a current rabies certificate. **This includes visitors with pets.**

SWIMMING: Swimming is allowed ONLY when Lifeguards are on duty at guarded beach areas. Tentative schedule is late June through Labor Day subject to change. Contact Park for exact hours.

OCCUPANCY: Maximum 6 persons per site (includes infants and children) with 2 tents OR 1 camper and 1 tent.

LAKESIDE STATE PARK

2025 Tent & Trailer Camping

INFORMATION: 274 Electric sites

Loops A - G are open: 5/16 -10/13

30 AMP Sites are \$29.00*/night

50 AMP Sites are \$31.00*/night

NOTE: An additional \$4/night Friday, Saturday and Holidays.

***\$5.00/night surcharge for Out of State Residents is included in above pricing.**

For reservations call **1-800-456-2267** or reserveamerica.com via internet.

General info call (585) 283-6674 from May–October (585) 283-6673 from November – April

Or write: Lakeside State Park
13691 Roosevelt Highway
Waterport, N.Y. 14571

CONTACT STATION HOURS:

10 a.m. – 6 p.m. Sun – Wed.

10 a.m. – 8 p.m. Sun of holiday weekends

10 a.m. – 8 p.m. Thur. – Sat.

Hours Subject to change

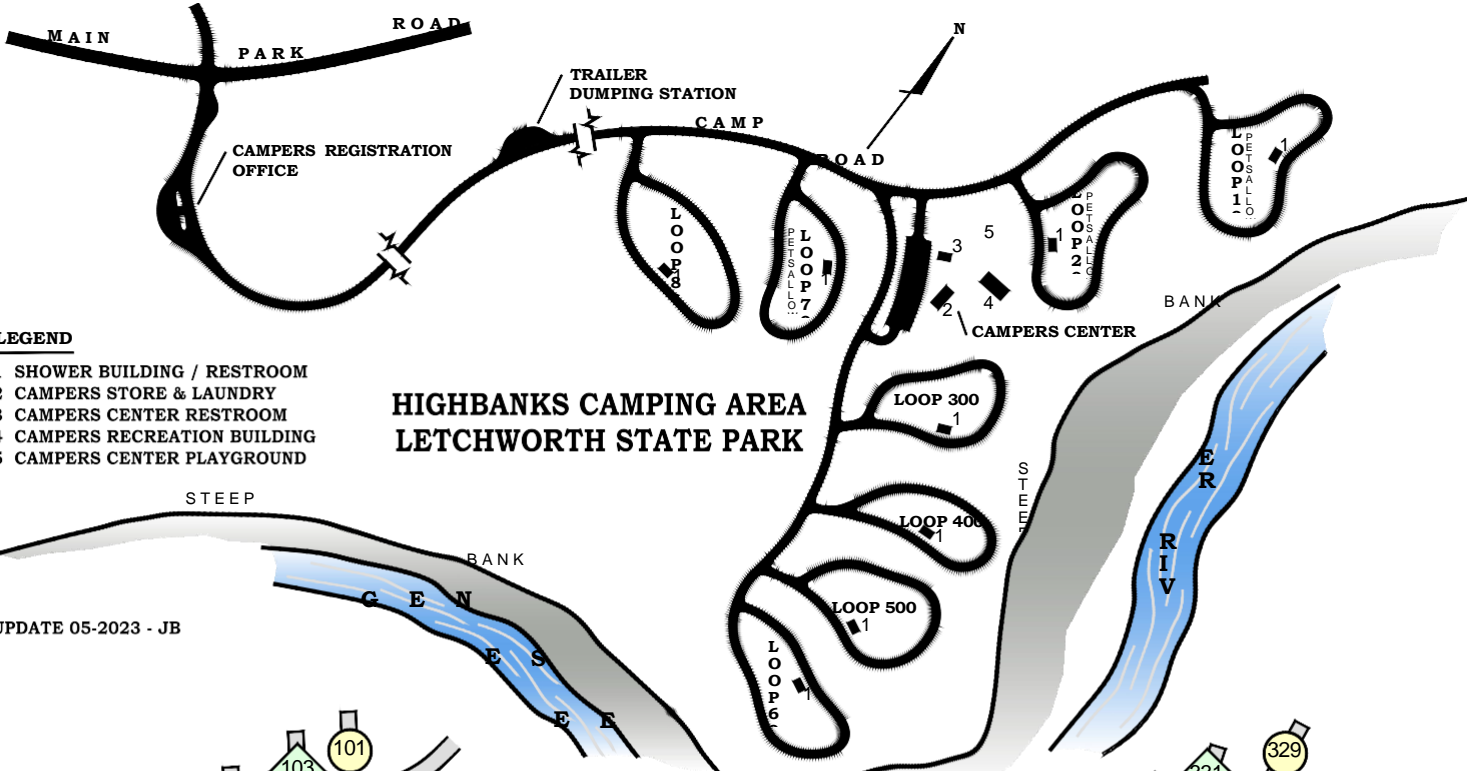
LOCATION: On Lake Ontario State Parkway, 42 miles west of Rochester, 10 miles north of Albion via Rt. 98, 40 miles east of Niagara Falls on Rt.18.

PETS: 2 Pets ONLY allowed in “D”, “E”, “F” & “G” LOOPS. Must be on a leash (max. 6ft long) and have a current rabies certificate. This includes visitors with pets. **Pets are not allowed in the restrooms.**

SWIMMING: NO SWIMMING ALLOWED. Registered campers may go to Hamlin or Darien by showing valid camping permit at park entry booth. **Kiddie Pools are prohibited.**

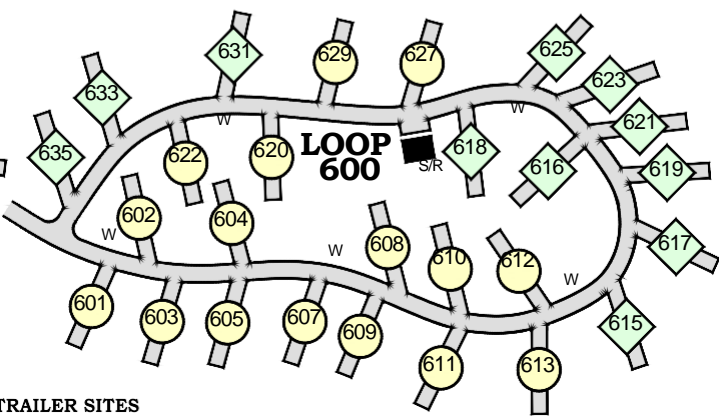
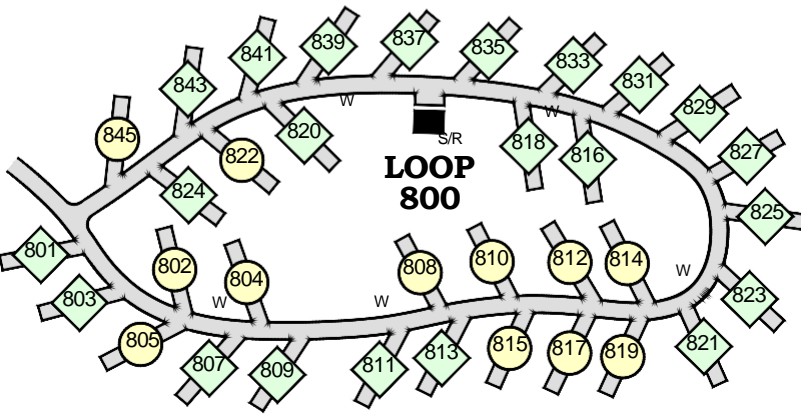
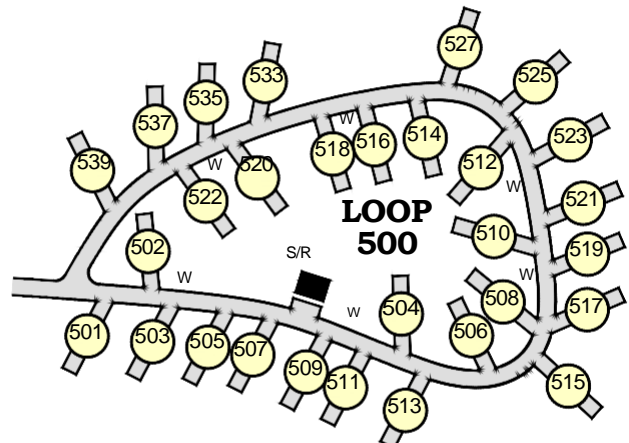
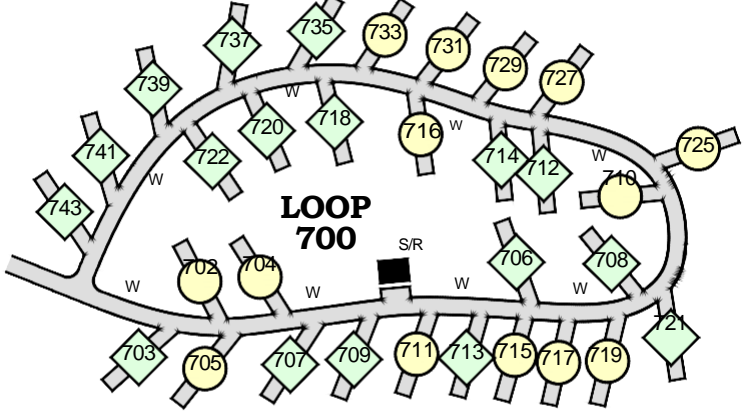
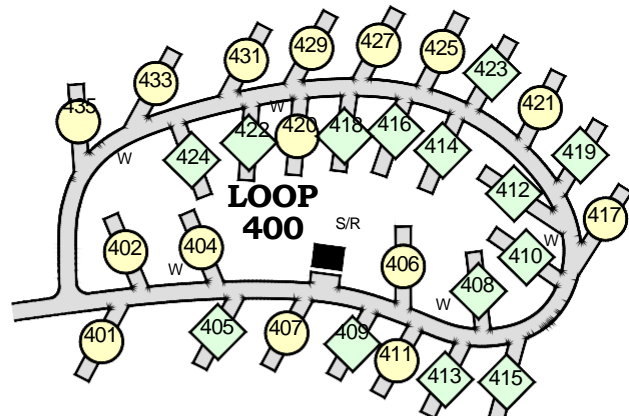
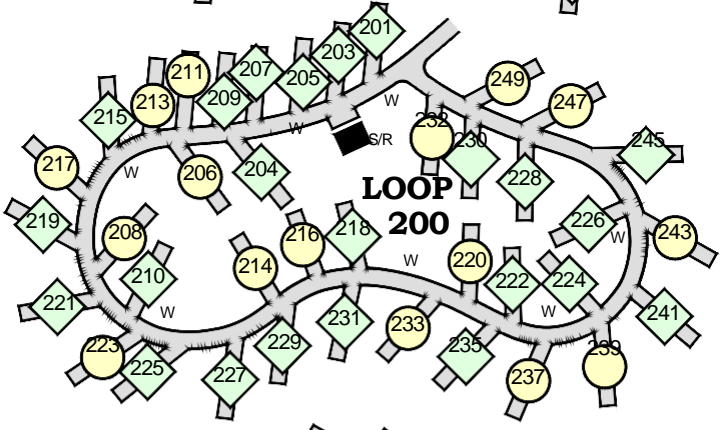
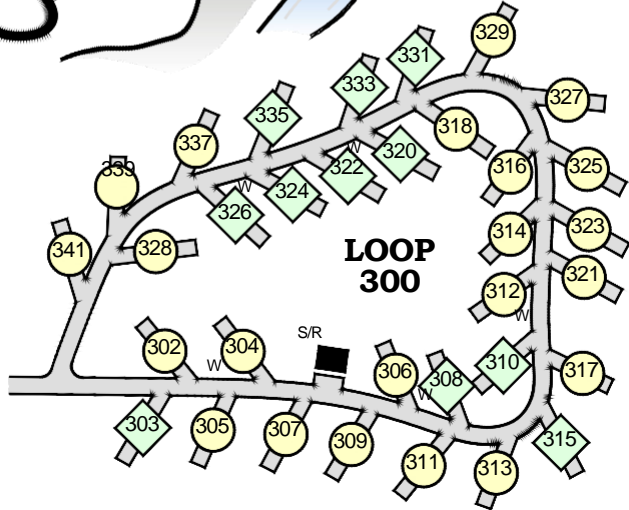
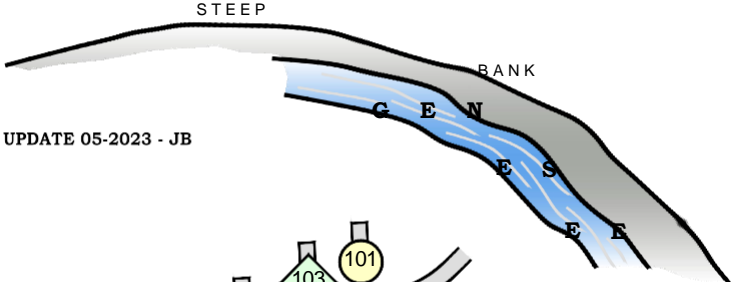
OCCUPANCY: Maximum 6 persons per site (includes infants and children) with 2 tents OR 1 camper and 1 tent.

FISH CLEANING: prohibited at all campsites.



LEGEND

- 1 SHOWER BUILDING / RESTROOM
- 2 CAMPERS STORE & LAUNDRY
- 3 CAMPERS CENTER RESTROOM
- 4 CAMPERS RECREATION BUILDING
- 5 CAMPERS CENTER PLAYGROUND



◆ 50 AMP TENT / TRAILER SITES

S/R - SHOWER BUILDING / RESTROOM W - WATER SPIGOT

UPDATE 05-2023 - JB

**NYS OFFICE OF PARKS, RECREATION AND
HISTORIC PRESERVATION – GENESEE REGION
CAMPING RESERVATION INFORMATION**

CALL NYS CAMPING/CABIN RESERVATION SYSTEM AT 1-800-456-2267 or via Internet (www.reserveamerica.com). Reservations can be made from 1 day to 9 months in advance from the first day that you want to camp. Same day reservations can be made before 3pm with Reserve America Only. Payment will be the nightly rate plus the current reservation fee.

Registration Information upon arrival at Park

- CHECK – IN: **3:00 p.m.** CHECK – OUT: **11:00 a.m.** ending day.
- One-day camping fee will be assessed to campers who stay late.
- Vehicle use fee will be charged if you leave and re-enter the park after 11:00 a.m. on your check-out day.
- **NO SUBLETTING, SUBSTITUTION OR REGISTERING FOR OTHERS.**
- 2 cars allowed per site, additional vehicles will be charged a nightly fee and need to park in a designated area.
- Only two **(2) pets per campsite are allowed in specific camping loops only**, proof of current rabies vaccination certificate must be on site.
- No camping permit will be issued to anyone under 18 years of age. NO person under 18 years of age will be permitted to camp unless accompanied and supervised by a person 18 years of age or older who has been issued a permit. Proof of age will be required.
- **All persons under the age of 10 must be accompanied by an adult at ALL times, especially in restrooms, shower buildings, playgrounds and swimming areas. No roller blades, skateboards or roller skates allowed. Motorized kid cars, 4-wheelers and remote-control cars, planes and drones are prohibited.**
- You can extend your stay (no more than 14 days maximum) at the campground office by 10:00 a.m. the day you're due to check out. Check with campground office for availability.
- Campers must occupy the campsite with their camping unit IMMEDIATELY after registering and MUST occupy the site the first night. Failure to comply will result in a forfeiture of the site including fees paid. Campsite may be vacated for a period not to exceed 48 hours with advance notice to the camp office. If however, the occupant vacates the site for over 24 hours without advance notice to the camp office, the reservation will be cancelled and all equipment will be removed at the owner's expense. Re-registration allowed 2 days after checkout. Use of NYS reservation system to circumvent this policy or its intent will result in reservation CANCELLATION.
- Reservations are a 2-night minimum – 14 night maximum. After the maximum stay of 14 nights, you must leave the park for 48 hours before a new stay can start. Single night reservations can be made 24 hours via Reserve America prior to the day you intend to arrive.

CANCELLATION/REFUND: All refunds are subject to Park Manager's approval.

- To cancel a reservation 1 day or more prior to 8:00 p.m. the date of your scheduled arrival, contact Customer Service at 1-800-777-9644.
- To cancel a reservation less than 1 day prior to 8:00 p.m. on the date of your scheduled arrival, contact the park campground office directly. See front page for the phone numbers of each individual park.
- **All cancellation/refund policies and fees apply to pre-made reservations.** Any refund due will be minus the reservation fee already paid **plus** a processing fee. If less than 8 days before the date of reservation arrival a one-night rental fee will also be applied. Customers leaving early will be charged for nights already stayed **plus** one additional night along with reservation fees and processing fees.
- "NO-SHOWS" receive no refund. Be sure to cancel in advance if you are not going to honor your reservation.
- **No refunds for cancellation due to inclement weather.**
- **NO REFUNDS ON EVICTIONS.**

ACCESS PASS

Advanced reservations pay the current rate for electric, whether used or not, plus prime site fees if applicable and the reservation fee. Plan to occupy site by 9:00 p.m. the first night of your reservation. NO SWITCHING, SUBLETTING OR SUBSTITUTION PERMITTED. Register at the campground office only. Reservation must be in Access Pass holders name if over 21. If under 21, reservation must be in legal guardian's/parent's name. **Access Pass holder must be present during the entire reservation and present a valid, non-expired pass at check-in/check-out.**

GENERAL CAMPGROUND INFORMATION

1. FACILITIES: All Sites have space for 1 tent and 1 trailer **or** 2 tents and 2 cars, picnic table and wood burning pit. **Back all RV's and trailers into and on-site pads.** Water spigot within 125 feet, restrooms with hot showers within each loop, sanitary sewage "dump" station for trailers, children's play equipment and recreation field. Handicap accessible restroom and showers in Hamlin Loops A, B and C; Lakeside Loops A, D and E; Letchworth Loops 200 and 700 and Darien Loops A and B.
2. PHONES: EMERGENCY messages will be forwarded as promptly as possible.
3. PETS: Only **2** domesticated household pets are allowed. All pets must have proof of current rabies vaccination (certificate). Parks require rabies certificate whether or not county of residence does. NOTIFY THE NYS RESERVATION SYSTEM WHEN MAKING A RESERVATION AND CAMPGROUND OFFICE UPON ARRIVAL IF YOU BRING A PET. **Pets are allowed in designated areas only and must be kept on a leash (max. 6 ft. long) at all times. You must clean up all droppings created by your pet.** Any pet unattended or those pets creating a nuisance will be sent to local kennel at owner's expense and subject to a summons. **PETS MAY NOT BE WALKED TO THE STORE, RECREATION HALL, BEACH, RESTROOMS, OR ANY OTHER AREA WHERE PETS ARE NOT ALLOWED. THIS INCLUDES VISITORS WITH PETS.**
4. ALCOHOLIC BEVERAGES: Section 385 Park Rules and Regulations.
5. VEHICLES: All vehicles must register (Motor Homes are considered a vehicle). Third or more additional vehicles must pay Park Entrance fees to enter the park then overnight parking fees per night for the duration of stay and park in designated areas. A current receipt or car pass on driver's window (**NOT THE WINDSHIELD**) or rearview mirror must be displayed. Temporary mirrors shall be removed after unhooking trailer at campsite. **The use of cars, trucks, SUVs, and tree-hung hammocks for sleeping units is prohibited.** Maximum 2 vehicles per site including visitors.
6. VISITORS: Allowed from 9 a.m. to 10 p.m. by registering at campground office. Visitors may elect to remain overnight at the campsite, provided 6-person occupancy limit is not exceeded, vehicle limit (maximum 2 per site) is not exceeded, and they are registered at campground office before 7 p.m. by campsite Permittee. No Visitor passes will be issued after the camp office is closed each day. **Visitors with pets are allowed only in designated pet loops.** Any visitors not staying overnight must be off site by 10:00 p.m. each day.
7. CLEANING CAMPSITE: Campers must leave sites clean, with all debris picked up and deposited in the dumpster. Recycling is mandatory. Please separate, clean and deposit in proper receptacles.
8. BOATS: Car-top boats launched in the designated area of Hamlin Beach State Park. **Vehicle use fee is charged at all boat launch sites.** For fishing information contact the individual park.
9. WEAPONS: NO firearms, air rifles, bows and arrows, hunting knives or sling shots permitted.
10. FIRES/FIREWOOD: **Fires are allowed only in fire pits provided** and should be extinguished when not in use. **Do not move fire pits throughout campsites.** Firewood is sold in the camping area by the concessionaire or at the Park Office at Hamlin Beach. Use of small axe on firewood is permitted, however, chainsaws or bow saws are NOT ALLOWED. The cutting of trees is prohibited. DEC Regulations ban the moving of untreated firewood than 50 miles from its source. Wood containing nails or staples is not allowed to be burned in fire pits. For more information ask at the Park Office.
11. QUIET HOURS: From 10 p.m. to 7 a.m. Respect the rights and privacy of others. Violators are subject to eviction and/or summons. Generator hours are 9 a.m. -11 a.m. and 5 p.m. – 9 p.m.
12. WATER USE: DO NOT wash vehicles, clothes, dishes, fish, persons or pets at water spigots or dump stations. **No permanent hookups to water spigots allowed.** Trailers must have a pail under all drains and no drain hoses are allowed to discharge on property. This water must be dumped by the camper in designated sink provided in restrooms. Violation of this rule is grounds for eviction.
13. AUDIO: Loudspeakers and stereo equipment ARE NOT ALLOWED. TV's must be inside camper/tent after 10 pm.
14. PARK ROADS: All areas of Park except assigned rented sites are closed to public use from 11 p.m. – 6 a.m. at Letchworth and Dusk to Dawn at Hamlin Beach, Darien, and Lakeside.
15. RACCOONS, SKUNKS AND FOXES are wild animals. It is important that we do not interfere with their normal life cycle or food chain by providing any kind of food. They can be aggressive when fed and can be dangerous when fighting for food. Put ALL food in secure sealed containers and place ALL garbage in dumpsters. Keep in mind when they become a nuisance to other campers, they may have to be destroyed. Rabies is present in Western New York. Avoid wildlife and report unusual behavior.