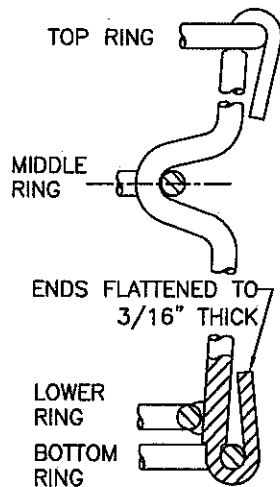
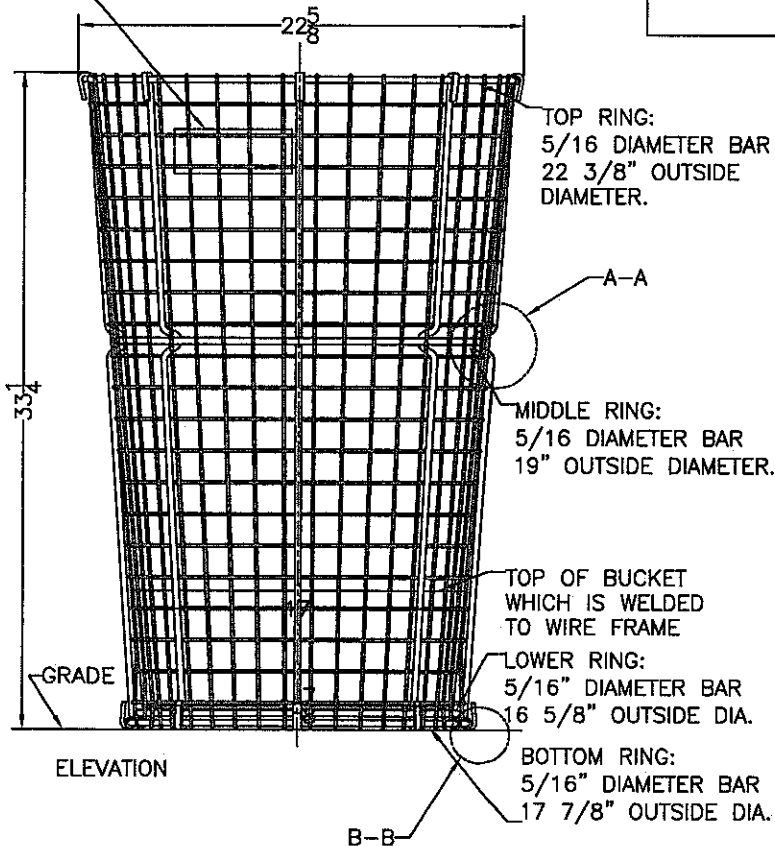
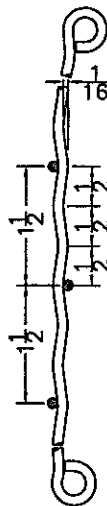


PLAN VIEW OF WIRE BASKET
HORIZONTAL 1/8" DIAMETER RODS
NOT SHOWN FOR CLARITY

2 1/4" x 6" METAL TAG WELDED IN
PLACE - OPTIONAL



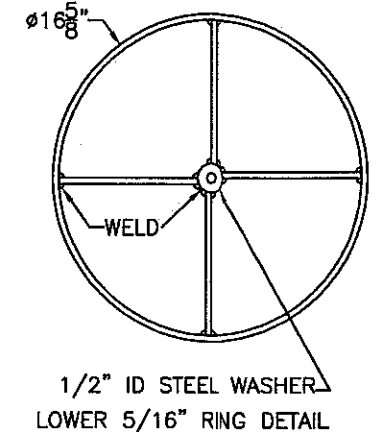
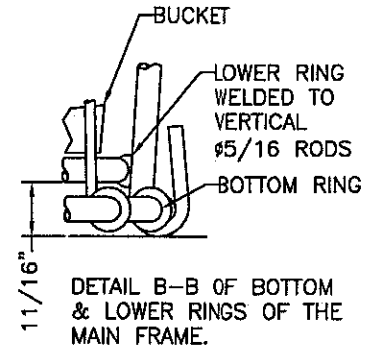
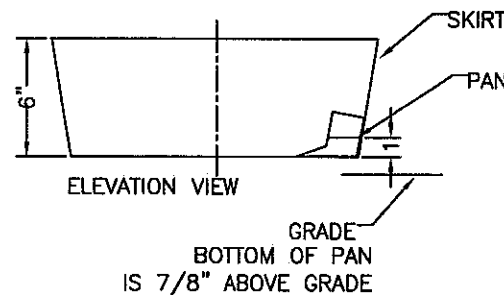
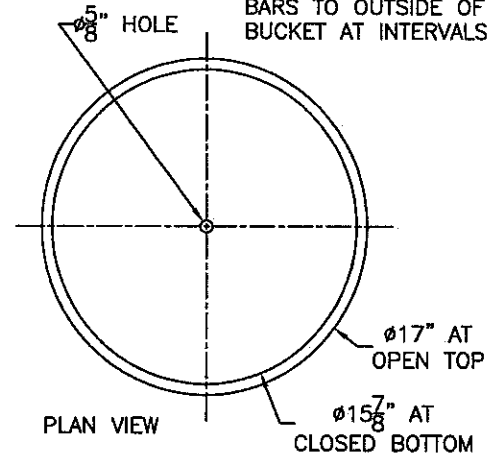
DETAIL A-A OF VERTICAL
5/16" DIAMETER STEEL
MAIN FRAME
8 PIECES IN EACH
WASTE BASKET



DETAIL OF VERTICAL
1/8" DIAMETER STEEL
BAR WEAVE
40 VERTICAL PIECES AND
20 HORIZONTAL PIECES IN
EACH WASTE BASKET

BUCKET
~0.045 THICK STEEL
2 PARTS: PAN & SKIRT
SKIRT OVERLAPS SIDE
OF PAN. SPOT WELD
TOGETHER

CONSTRUCTION NOTE:
WELD 1/8" VERTICAL
BARS TO OUTSIDE OF
BUCKET AT INTERVALS



ALL DIMENSIONS GIVEN AS INCHES

FINISH: GALVANIZED

KENNETH LYNCH & SONS

114 WILLENBROCK ROAD
OXFORD CT 06478
203-264-2831
FAX 203-264-2833

#95-A WIRE WASTE BASKET

Scale: FAX	Date: 3/31/09	Drawn: S.L.A.
$\phi 22 \frac{5}{8} \times 33 \frac{1}{4}$ HIGH		
MAT'L: STEEL		#95-A WIRE WASTEBASKET FX